



CEBIEN 세비앙



TRAVEL
SHOWER KIT
CHECK-IN

Index

1 Concept

2 Feature

3 Image

4 Product Composition

5 Product Materials Information

6 Product Size

7 Package



 Color



White



Black



Blue



Pink



Purple

Concept



Compact Travel Shower Kit is designed with water-purifying filters for the purpose of “**safe trip**”. It is portable and the filters can be easily replaced.

As water pollution becomes a worldwide problem, public concerns on water is escalating as well. Compact Travel Shower Kit, the essential travel equipment, is the solution for the growing concerns on water pollution. It can protect you from skin diseases and aging process caused by getting in contact with polluted water.



Feature



1. Reliable

Remove rust and impurities with FDA and ROHS certified filter



2. Eco-Friendly

Used eco-friendly certified **Biomass Plastic**



3. Minimal & Strong

Abundant shower spray from 105 nozzle holes

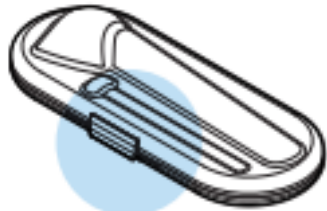


4. For skin care

Removes residual chlorine and aroma therapy through vitamin filter

(BP : Biomass Plastic : Plastic decomposable by bacteria in soil)

Feature



5.
Compact size

Designed for travel
and enhance portability
with case



6.
Easy access to anyone

Easy to be alternated
with global standard
connector type



7.
More Sophisticated

Multi-purpose handle
removes the remaining
water and dry



8.
More Convenient

Fast replacement of
shower head using
silicon handle

Image



Materials Information

Filter Information



Sediment Filter Model : S

- Impurity blocking filter
- Block dust, impurities, rust
- Used FDA and ROHS certified materials



Sediment +Vitamin Model : SV

- Combination of Sediment filter and vitamin filter

Vitamin Filter Model : V

- 2 types of scent (Lemon, Lemon+Mango)
- Aroma Therapy effects
- Removes residual chlorine



Filter replacement cycle

Sediment Filter : About 2-3 weeks

- 1) The cycle may vary according to the water quality and the frequency of use.
- 2) Replace the filter if the change of color in filters or when the water pressure is low.

Vitamin Filter : About 7days

The cycle may vary based on the temperature of the water and frequency of use.

Abundant shower spry

Sediment +Vitamin
Model : SV

Combination of Sediment
filter and vitamin filter



Image

Lemon Scent filter



Product Composition

It consist of an easy to remove shower head, the filter for removing impurities and a variety of aromatherapy effects in the shower, the clear body for checking the contamination of the filter, the silicone grip designed for easy to hang on the hook and a case for storage.



Materials Info

Filter material certification

Test Report No. 2191804/JL Date : Nov 30 2010 Page 1 of 3

HONAM PETROCHEMICAL CO., LTD
634, DOKGOT-RI, DAESAN-EUP,
SEOSAN-CITY, CHUNGCHONGNAM-DO,
KOREA

The following sample was submitted and identified on behalf of the client as SFR-171H.

SGS Job No. : 3670144
 SGS Ref. No. : AYAA10-38417
 Style / Item No. : PP
 Sample Receiving Date : NOV 16 2010
 Testing Period : NOV 16 - 22 2010

Test Requested : Please refer to the result summary.

Test Method & Results : Please refer to next page(s).

Result Summary :

Test Requested	Conclusion
US FDA 21 CFR 177.1520 (c)(1.1a) – Polypropylene Homopolymer (As per client's request)	..
a) Clarity	PASS
b) Melting point	PASS
c) Extractable fraction	PASS
d) Soluble fraction	PASS

Signed for and on behalf of
SGS Hong Kong Ltd.

Chan Yu Yan, Cyrus
Section Manager

This document is issued by the Company subject to the General Conditions of Service printed on each report or available at www.sgs.com/sgsweb/conditions.html and, for additional general conditions, subject to Terms and Conditions for Electronic Documents at www.sgs.com/sgsweb/electronic_documents.html. Attention is drawn to the limitation of liability, indemnification and arbitration clauses set forth therein. Any further or other conditions subject to which information contained herein is furnished by the client or its subcontractors, and, within the limits of Client's responsibility, the Client shall be responsible to the Client and the subcontractors and customer parties to a transaction with respect to all the above and otherwise under the applicable laws. This document cannot be reproduced or used in any manner whatsoever by the Company, its subcontractors, agents or affiliates or the client or its subcontractors without the prior written consent of the Company. The document cannot be reproduced or used in any manner whatsoever by the Company, its subcontractors, agents or affiliates or the client or its subcontractors without the prior written consent of the Company.

Users always check the results shown in this test report when used by the company's related and non-related companies and/or clients.

SGS Hong Kong Ltd. 8/F & 9/F, 19/F, Metropark Square, 22/F, Yu Street, 30 Yue Yue Street, Sheung Kwan, K.T., Hong Kong. T: (852) 2354 4000 F: (852) 2354 3125 www: sgs.com
Member of the SGS Group (SGS SA)

FDA certified material test report

Test Report No. F69010/IF-CTSA9AA18-41762 Issued Date : 2018. 07. 31 Page 1 of 6

LOTTE CHEMICAL CORPORATION
634 Dokgot-e, Daesan-eup
Seosan-si, Chungnam
Korea

The following sample(s) was/were submitted and identified by/on behalf of the client as:-

SGS File No. : AYAA18-41762
 Product Name : SFR171H
 Item No./Part No. : N/A
 Received Date : 2018. 07. 24
 Test Period : 2018. 07. 24 to 2018. 07. 31
 Test Results : For further details, please refer to following page(s)

SGS Korea Co., Ltd.

Jeff Jang / Chemical Lab Mgr

This document is issued by the Company subject to the General Conditions of Service printed on each report or available at www.sgs.com/sgsweb/conditions.html and, for additional general conditions, subject to Terms and Conditions for Electronic Documents at www.sgs.com/sgsweb/electronic_documents.html. Attention is drawn to the limitation of liability, indemnification and arbitration clauses set forth therein. Any further or other conditions subject to which information contained herein is furnished by the client or its subcontractors, and, within the limits of Client's responsibility, the Client shall be responsible to the Client and the subcontractors and customer parties to a transaction with respect to all the above and otherwise under the applicable laws. This document cannot be reproduced or used in any manner whatsoever by the Company, its subcontractors, agents or affiliates or the client or its subcontractors without the prior written consent of the Company. The document cannot be reproduced or used in any manner whatsoever by the Company, its subcontractors, agents or affiliates or the client or its subcontractors without the prior written consent of the Company.

Users always check the results shown in this test report when used by the company's related and non-related companies and/or clients.

SGS Korea Co., Ltd. 8/F, The D-Well, 70, Daejeon, Songnam, Gyeonggi-do, Korea 15117
 T: +82 202-4599-0000 F: +82 202-4599-0000 www.sgs.com
 Member of the SGS Group (SGS SA)

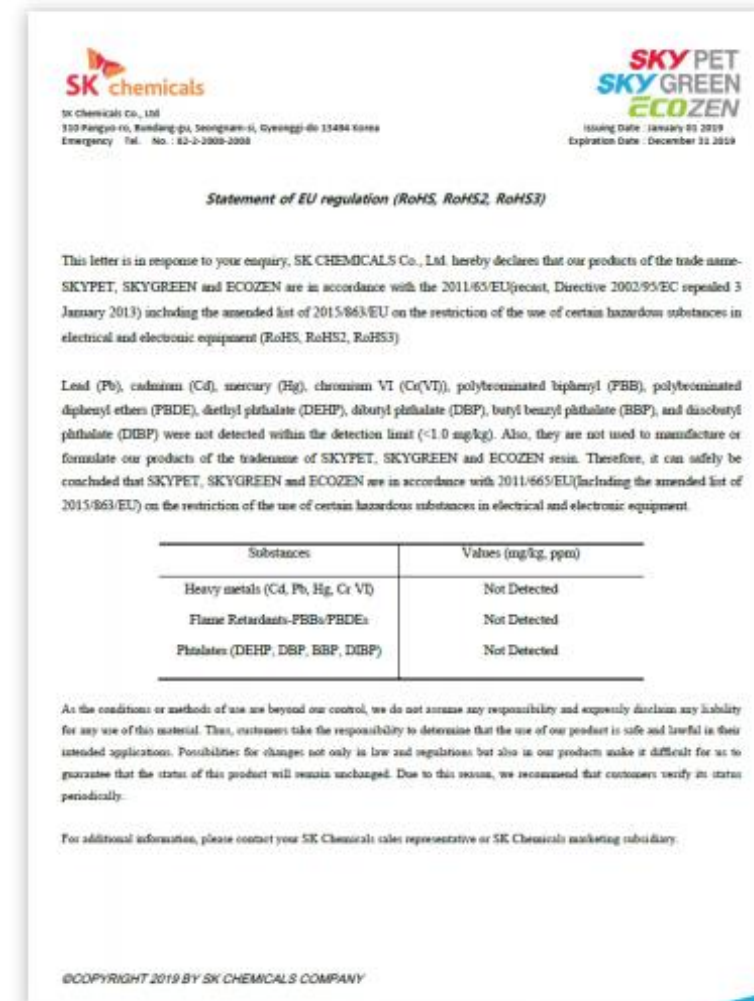
ROHS certified material test report

Materials Info

Product material certification



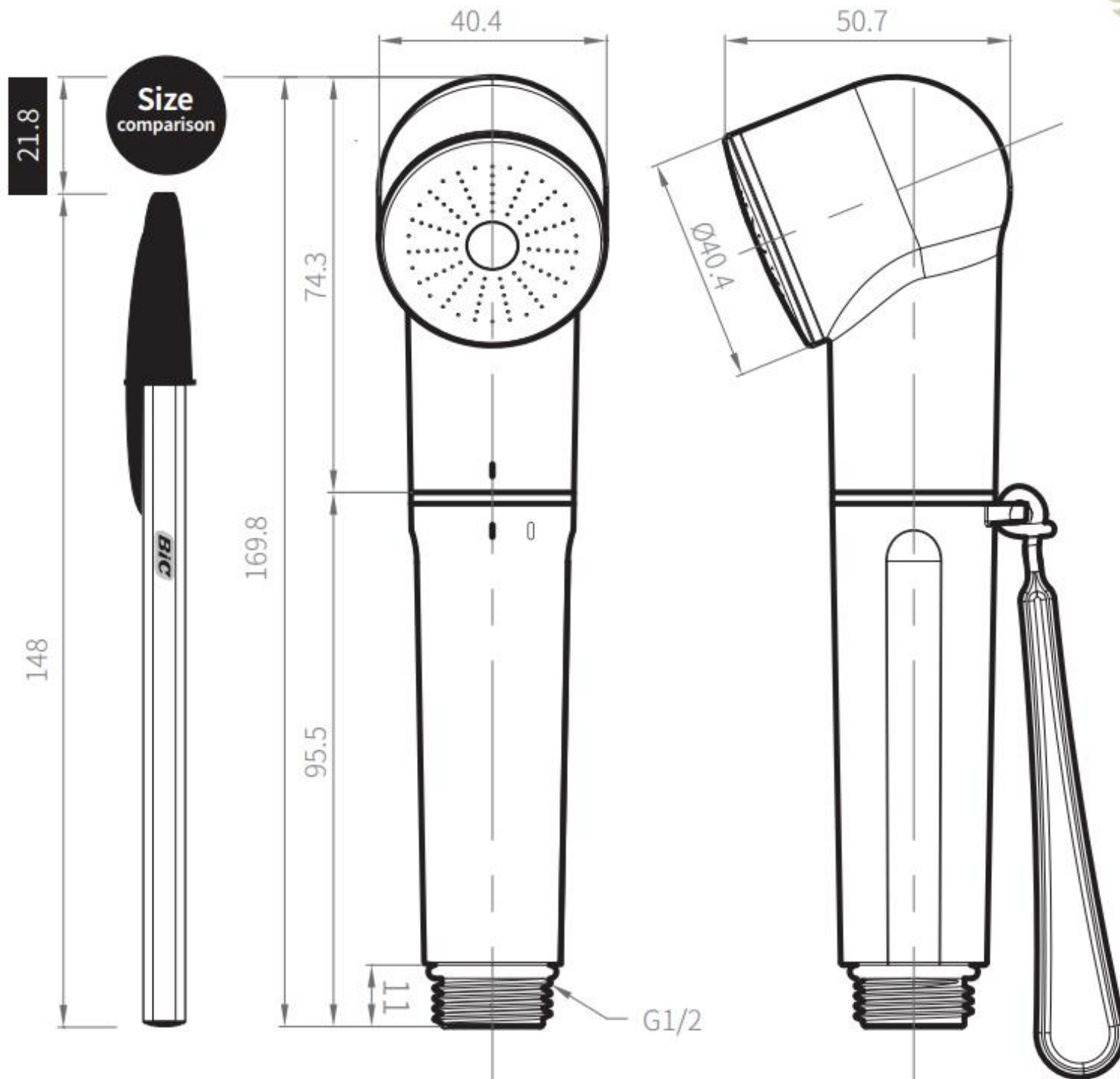
BIO plastic certification
(Plastic decomposable by bacteria in soil)



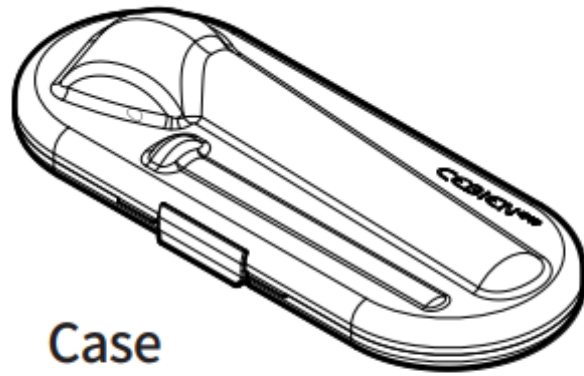
ROHS certified material test report

Size-1

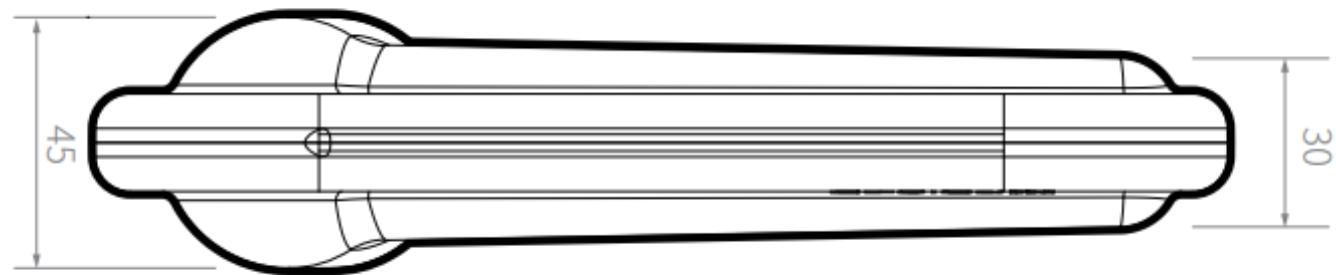
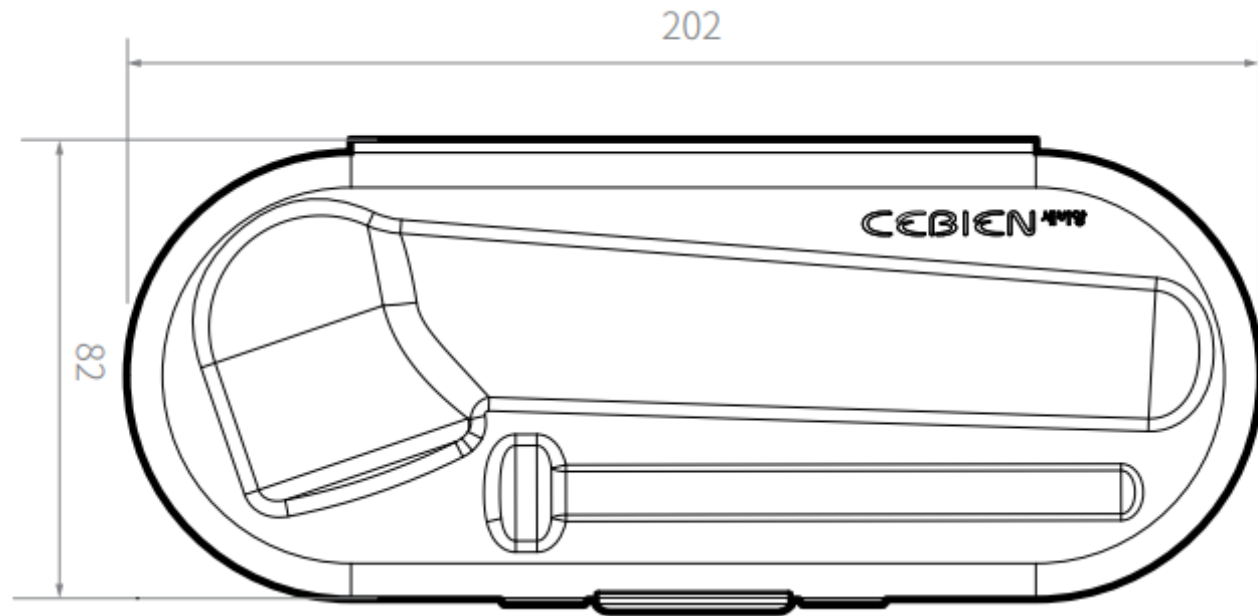
Hand Shower
(Unit : mm)



Size-2



Case



Package



Luggage Style 203 x 85 x 45mm

Net. Weight : 169.7g (Body 85g / Vitamin filter 14.8g / Sediment filter 6.9g / Case 63g)

Gross Weight : 205.7g (Package)

Thank You

Overseas Sales Dept.

Manager : Richard Lee

E-mail : gs.lee@cebien.com

www.cebien.com
